



## D-SUB DIP STRAIGHT TYPE

Position	A	B	C	D	E
9	17.78	24.99	31.04	19.36	16.33
15	26.15	33.32	39.24	27.64	24.66
25	39.94	47.04	53.04	41.08	38.38
37	56.56	63.50	69.62	57.38	54.84

### Specifications:

Contact Resistance: 30m  $\Omega$  max.at DC 100 mA  
Insulator Resistance: 1000M  $\Omega$  min.at DC 500V  
Current Rating: 5AMP

### Dielectric Withstanding

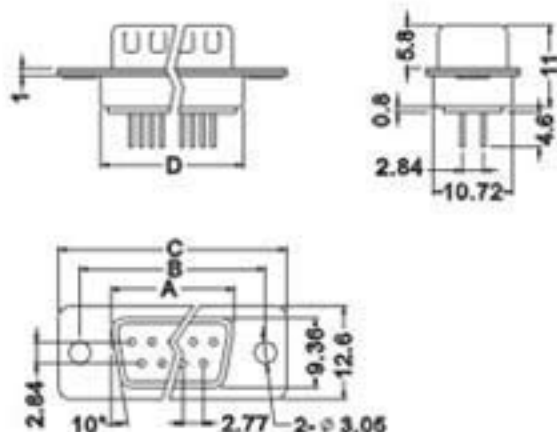
Voltage: AC 1000V For 1 minute  
Operating Temperature: -55° C--+105° C  
Contact: Brass or Phosphor Bronze  
Housing: PBT &30% Glass Fiber(UL 94V-0)

### How To Order

101 -09 P C B N S



### [ MALE ]



### [ FEMALE ]

