



BOX HEADER 2.54mm(0.100")

Position	A	B	C	Position	A	B	C
10	20.30	18.10	10.16	30	45.70	43.50	35.56
12	22.84	20.64	12.70	34	50.78	48.58	40.64
14	25.38	23.18	15.24	40	58.40	56.20	48.26
16	27.92	25.72	17.78	50	71.10	68.90	60.96
20	33.00	30.80	22.86	60	83.80	81.60	73.66
26	40.62	38.42	30.48	64	88.88	86.68	78.74

Specifications:

Contact Resistance: 30mΩ max.at DC 100 mA
 Insulator Resistance: 1000MΩ min.at DC 500V
 Current Rating: 1AMP

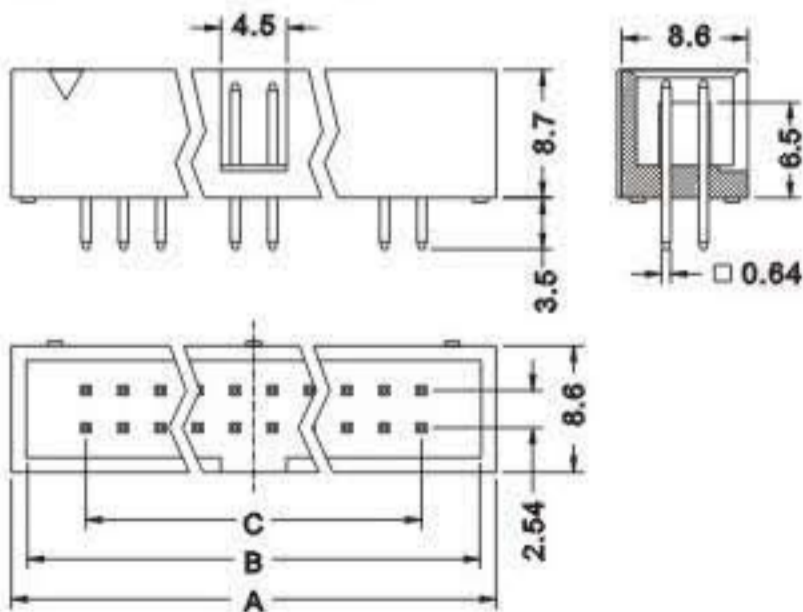
Dielectric Withstanding

Voltage: AC 500V For 1 minute
 Operating Temperature: -55° C +105° C
 Contact: Brass
 Housing: PBT &30% Glass Fiber(UL 94V-0)

How To Order

118-A -10 G S K
 1 2 3 4 5
 SERIES NO. ————
 NO.OF PINS: 10.12.14.16.20.26.30.34.40.50.60.64.
 CONTACT PLATED: G-ALL GOLD PLATED
 T-TIN PLATED ON TERMINAL & GOLD PLATED ON CONTACT
 COLOR:K-BLACK
 G-GRAY
 TERMINAL TYPE:
 S-STRAIGHT TYPE
 R-RIGHT ANGLE TYPE

[STRAIGHT]



[RIGHT ANGLE]

